

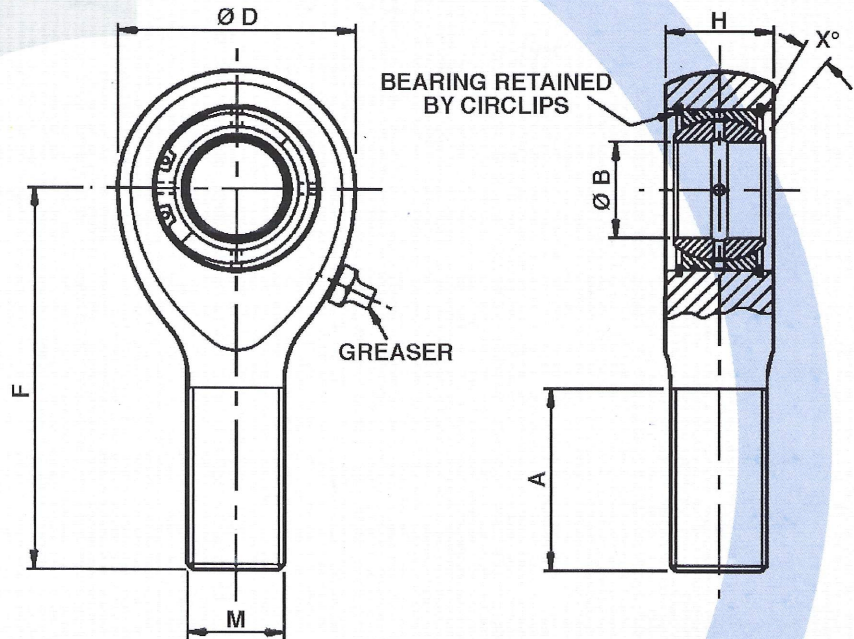
**Imperial Male Rod End Bearings,
Metal to Metal, Ground track, Heavy duty**

Rod End housing

Manganese molybdenum steel
Phosphated all over

Inner bearing

1% carbon chromium steel
Heat treated
Phosphated all over



RHM Right hand thread
RHML Left hand thread

Rose part no	Inner bearing part No.	B	H	D	F	A	M	X	Diametral clearance in bearing	Max static radial load	Weight
RHM		+0.0000			+0.010	+0.060	BSF				
RHML		-0.0005			-0.010	-0.030	med. fit	deg	max.	lbf	lb
414	RBJ414	.8750	1.062	2.250	3.500	1.625	.875 - 11	6	.0035	32400	1.50
416	RBJ416	1.0000	1.125	2.625	3.875	2.000	1.000 - 10	6	.0035	42800	2.00
420	RBJ420	1.2500	1.375	3.000	4.875	2.375	1.250 - 9	6	.0035	69000	3.00
424	RBJ424	1.5000	1.562	3.750	5.250	2.750	1.500 - 8	6	.0040	101000	4.00
428	RBJ428	1.7500	1.750	4.125	6.125	3.000	1.750 - 7	6	.0040	133000	6.75
432	RBJ432	2.0000	1.937	5.000	6.625	3.500	2.000 - 7	6	.0040	179000	9.50

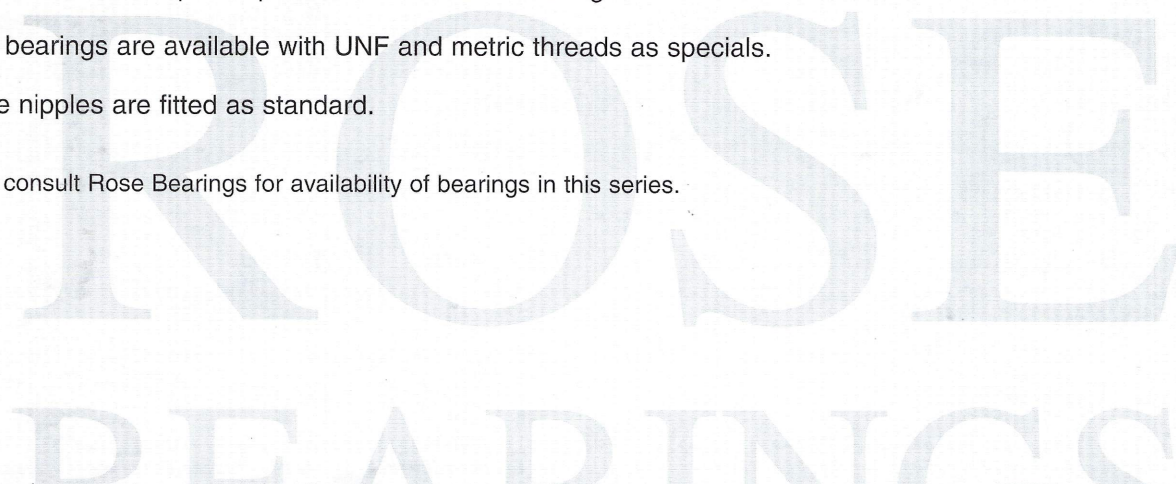
Dimensions in inches

For other sizes and options please contact Rose Bearings.

These bearings are available with UNF and metric threads as specials.

Grease nipples are fitted as standard.

Please consult Rose Bearings for availability of bearings in this series.



Rose Bearings operates a policy of continual improvement, and therefore reserves the right to revise specifications without notice.

Rose Bearings Ltd - Doddington Road, Lincoln LN6 3RA UK TEL: 01522 500933 FAX: 01522 696485